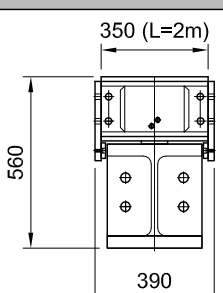
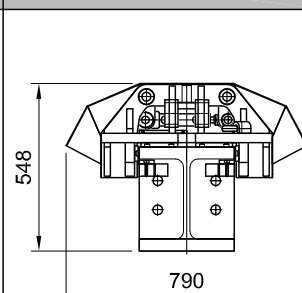


Capacity: 260 T (two tracks - 4 skidshoes)	
Front view skid beam + skid shoe	Front view skid beam + push pull unit
 <p>350 (L=2m)</p> <p>560</p> <p>390</p>	 <p>548</p> <p>790</p>