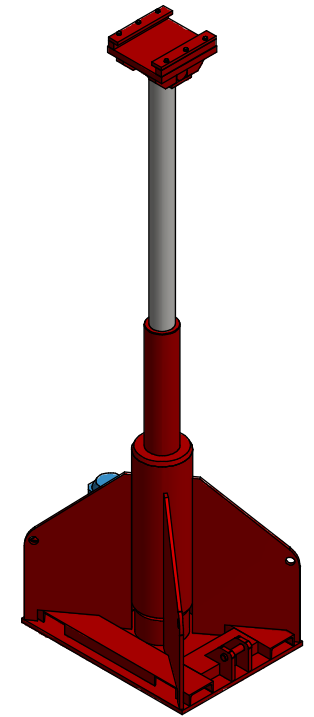
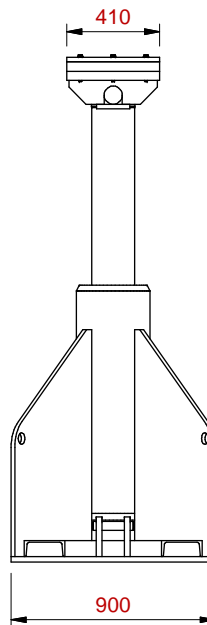
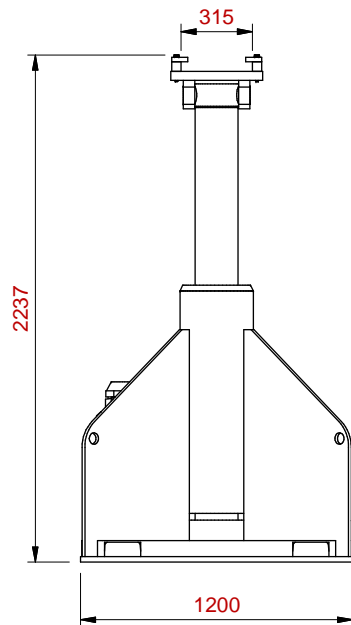
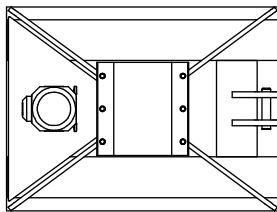
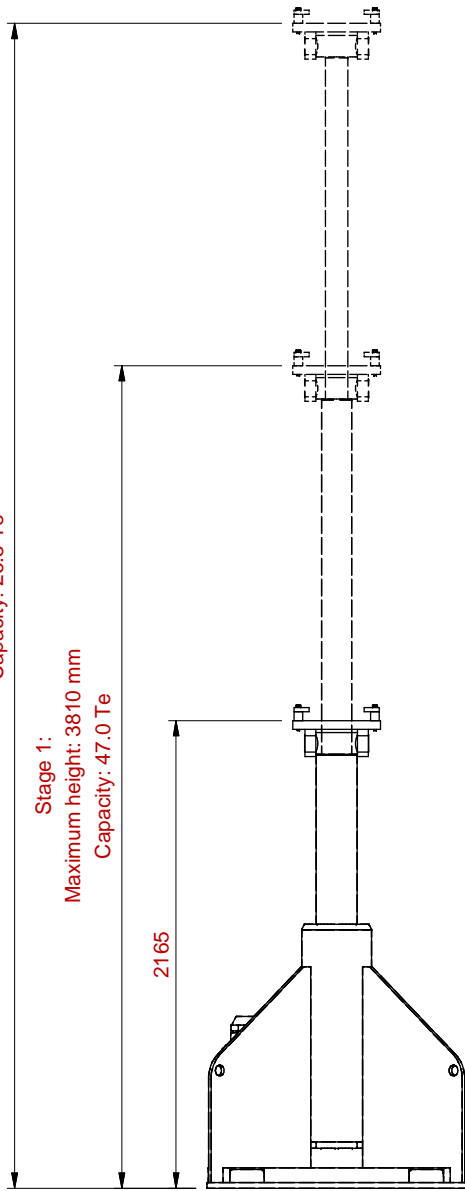


Stage 2:
Maximum height: 5395 mm
Capacity: 26.5 Te

Stage 1:
Maximum height: 3810 mm
Capacity: 47.0 Te



Weight / unit	1350				kg
A	Repaired after changed orientation				WOL
-	First issue	18-12-2014	BSE	WOL	WBR
REV:	DESCRIPTION:	DATE:	DRAWN:	CHECKED:	APPROVED:

CLIENT: **Wagenborg Nedlift B.V.**

PROJECT: **Datasheet**

TITLE: **Hydraulic boom gantries
180Te Lifting gantry
Specifications lift unit**



Wagenborg Nedlift B.V.
Gideonweg 5
P.O. Box 254
9700 AG Groningen
TEL: +31 (0)50 36 82 800
WWW.WAGENBORG.COM

THIS PUBLICATION REMAINS THE PROPERTY OF THE PUBLISHER AND SHALL BE TREATED AS CONFIDENTIAL UNLESS CONTRACTUALLY SPECIFIED OTHERWISE. NO PART OF IT MAY BE REPRODUCED, STORED IN A RETRIEVAL SYSTEM OR TRANSMITTED IN ANY FORM OR BY ANY MEANS, WITHOUT THE PRIOR WRITTEN PERMISSION OF THE PUBLISHER.

SIZE:	SCALE :	PROJECT NO:	DRAWING NO:	SHEET
A4	-		025069-073-01	1/1